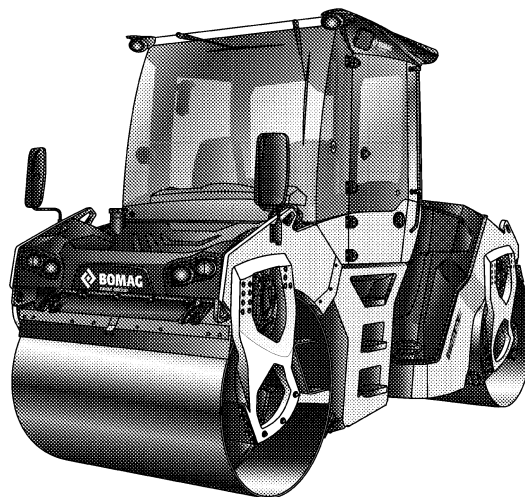


**TANDEM VIBRATORY ROLLER  
BW 191 AD-5 AM, BW 206 AD-5 AM**

**PERFORMANCE DATA**

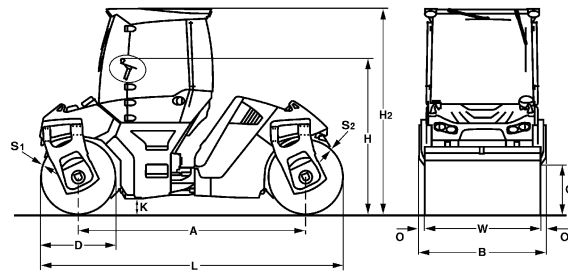


Machine type	Compaction output (m <sup>3</sup> /h) at recommended soil layer thicknesses		
	Gravel, sand	Mixed soil	Silt, clay
BW 191 AD-5 AM	180-340	150-280	110-180
BW 206 AD-5 AM	180-340	150-280	110-180

Machine type	Compaction output (t/h) at different asphalt layer thicknesses		
	2-4 cm	6-8 cm	10-14 cm
BW 191 AD-5 AM	60-130	100-230	160-280
BW 206 AD-5 AM	60-130	100-230	160-280

# Technical Data

Shipping dimensions in m3	without ROPS	with ROPS
BW 191 AD-5 AM	27,289	35,761
BW 206 AD-5 AM	28,980	37,978



## Standard Equipment

- ASPHALT MANAGER 2
- 2 amplitudes / 2 frequencies rear
- ECOMODE
- Autom. vibration operation
- Individual vibration control
- Swivel seat with integrated electronic steering wheel
- Emergency stop button
- V-belt protection
- Pressure sprinkling system with 2 pumps
- Indicator and hazard lights
- Back-up alarm
- Battery disconnect switch
- Compartments for documents and tools
- BOMAG OPERATION PANEL (BOP)
- EVIB-Control panel
- Asphalt temperature display

## Optional Equipment

- ROPS cabin with seat belts + heating, Ventilation + 4 Working head lights
- ROPS cabin with air conditioning
- Rotary beacon
- Crab-walk to both sides (170mm)
- 2 LED-lights for cabin roof (flatbeam)
- Edge cutter
- Special painting
- Environmentally compliant hydraulic oil
- Radio/Radio preparation
- Printer for ASPHALT MANAGER 2
- Lighting for drum edge front and rear
- Seat heating
- Approval by the German TÜV
- BOMAG TELEMATIC POWER
- Outside mirrors
- BCM-Documentation system

## Dimensions in mm

	A	B	C	D	H	H2	K	L	O	S1	S2	W
BW 191 AD-5 AM	3900	2178	760	1400	2364	3098	250	5300	89	22	19	2000
BW 206 AD-5 AM	3900	2313	760	1400	2364	3098	250	5300	89	22	19	2135

## Technical Data

### Weights

Operating weight CECE w. ROPS-cabin	kg	13.900
Grossweight	kg	15.000
Axle load, front CECE	kg	7.050
Axle load, rear CECE	kg	6.850
Static linear load, front CECE	kg/cm	35,3
Static linear load, rear CECE	kg/cm	34,3

### Dimensions

Track radius, inner	mm	5.190
Length (without towing hitch)	mm	5.300

### Driving Characteristics

Max. travel speed	km/h	0- 12,0
Max. gradeability without/with vibr.	%	35/30

### Drive

Engine manufacturer		Deutz
Type		TCD 4.1 L04
Emission stage		4/4
Cooling		water
Number of cylinders		4
Performance ISO 14396	kW	105,0
Speed	min-1	2.300

### Brakes

Service brake		hydrost.
Parking brake		multi disc

### Steering

Steering system		oscil.artic.
-----------------	--	--------------

### Exciter system

Vibrating drum		front + rear
Autom. vibr. shut off		standard
Frequency	Hz	40/55
Amplitude	mm	0,94/0,44
Centrifugal force	kN	129/112
Centrifugal force	t	13,1/11,4

### Vario system

Frequency	Hz	45
Amplitude directed		autom./variable
Amplitude	mm	0,87
Centrifugal force	kN	120
Centrifugal force	t	12,2

### Capacities

Fuel	l	165,0
Water	l	970,0

Technical modifications reserved. Machines may be shown with options.



PRE 921 13 001

120215 Sa02

**BOMAG**  
Hellerwald  
D-56154 Boppard  
P.O. Box 5162  
Tel. (0)6742 - 1000  
Fax (0)6742 - 3090

