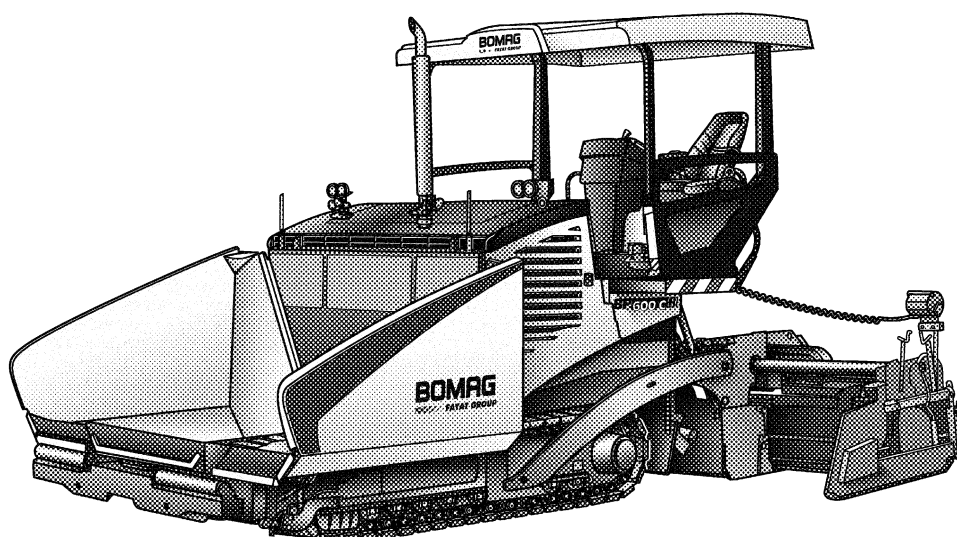




**ROAD PAVER
BF 600 C**

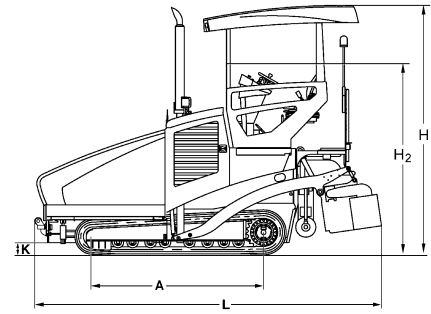
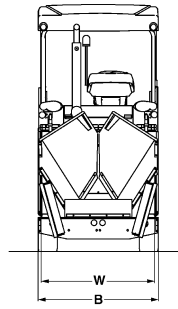
PERFORMANCE DATA



Technical Data

Shipping dimensions in m³

BF 600 C (HC)	41,969
BF 600 C (HS)	43,423



Standard equipment

- 4 cylinders, 120 kW engine
- Driver's seat and platform can be shifted to the sides, SideView System®
- L.C.S.® screed relief and traction increase system
- Individual control of hopper wings
- Load sensing material flow system
- 2 independent and reversible scraper belts, highly wear resistant plates
- 2 proportionally controlled and reversible augers made of low-wear casting, auger wings individually exchangeable
- Cleaning system with 8 m hose reel, pump and tank
- Hydraulic crown setting (HS screed)
- Tamper setting (0-1740 rpm) and vibration setting (200-3500 rpm)
- Fully automatic screed heating and functional monitoring
- Central lubrication for HSG and HSE screeds
- Crawler track with PLC travel, control and braking system, 300 mm floor plates
- 4 Roof spotlight
- 2 Screed spotlight
- 2 Front spotlight
- ECOMODE
- Rotary speed reset

Optional equipment

- Screed extensions for HS screed 250/750
- Screed extensions for HC screed 350/700
- Levelling systems: Height and lateral sensing with ultrasonic or mechanical sensors.
- Heatable side plates for HCE and HSE electric screeds
- Reduction pads
- Hydraulic auger height adjustment
- 4% crown for HSE-screed
- Autom. central lubrication system for screed and auger

Dimensions in mm

	A	B	H	H ₂	L	W
BF 600 C (HC)	2700	2550	3635	2850	5775	2500
BF 600 C (HS)	2700	2550	3635	2850	5975	2550

Technical Data

Weights

Operating weight CECE	kg	16740	17840
-----------------------------	----	-------	-------

Dimensions

Transport length	mm	5850	6200
Transport width	mm	2550	2550
Transport height	mm	2850	2850

Travel characteristics

Travel speed (1)	km/h	0-4,8	0-4,8
Working speed (1)	m/min	0-24	0-24

Drive

Engine manufacturer	DEUTZ	DEUTZ	
Type	TCD 2013 L04	TCD 2013 L04	
Cooling	Water	Water	
Number of cylinders	4	4	
Rated power ISO 3046	kW	120	120
Speed	min-1	2300	2300

Crawler assembly

Crawler track		
-Axle base	mm	2700
-Width	mm	300

Hopper

Capacity	m ³	7,1	7,1
Width (wings open)	mm	3360	3360
Width (wings closed)	mm	2550	2550
Length	mm	1920	1920
Filling height (middle)	mm	560	560

Scraper belt / auger

Number		2	2
Width	mm	440	440
Speed	U/min	18	18
Individual control		Standard	Standard
Reversing operation		Standard	Standard

Conveyor auger

->Number		2	2
->Auger diameter	mm	350	350
->Rotary speed	U/min	75	75
->Reversing operation		Standard	Standard

Screed

Screed type	HCE	HSE	
Basic width retracted	mm	2500	2550
Basic width extended	mm	4750	5000
Max. working width	mm	7550	7000
min. width with reduction skids	mm	1800	1800
Mat thickness	mm	300	300
Smoothing plate depth	mm	400	400
Smoothing plate thickness	mm	12	15
Heating	Electric	Electric	
Crown	%	-2,5 ... +4,5	-2,5 ... +2,1
Tamper frequency	Hz	0-29	0-29
Vibration frequency	Hz	20-58	20-58
Basic weight	kg	3.300	4.200

Filling capacities

Fuel	l	215	215
Hydraulic oil	l	160	160

Technical modifications reserved. Machines may be shown with options.



BOMAG
 Hellerwald
 D-56154 Boppard
 Postfach 5162
 D-56149 Boppard
 Tel. (0)6742 - 1000
 Fax (0)6742 - 3090

